

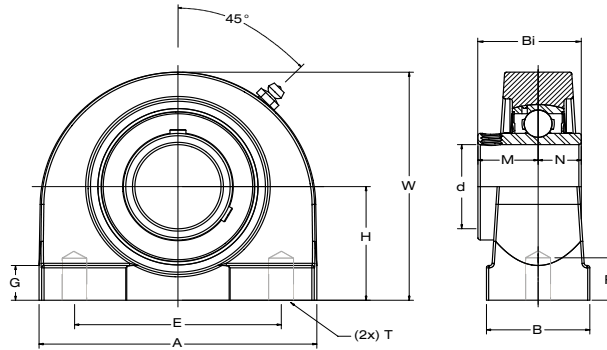
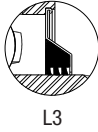
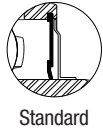
UCTB 200 SERIES

Normal-Duty Tapped Base Pillow Block
Setscrew Lock

TURNER

Mounted Bearings

Available Seal Styles:



Bearing Number	Shaft Dia.	Dimensions in.										Bolt Used (T)	Load Rating		Bearing Insert	Housing Number	Weight
	d in. mm.	H	A	E	B	R	G	W	Bi	N	M		Dynamic C _r	Static C _{or}			
UCTB 201	12	1.313 33.3	2.88 73.0	2.00 50.8	1.50 38.0	0.50 13.0	0.44 11.0	2.56 65.0	1.2205 31.0	0.5000 12.7	0.7205 18.3	3/8-16	2,883 12.82	1,496 6.65	UC 201	TB 204	1.3 0.6
UCTB 201-8	1/2														UC 201-8		
UCTB 202	15														UC 202		
UCTB 202-10	5/8														UC 202-10		
UCTB 203	17														UC 203		
UCTB 204-12	3/4														UC 204-12		
UCTB 204	20	UC 204															
UCTB 205-14	7/8	1.438 36.5	3.00 76.0	2.00 50.8	1.50 38.0	0.50 13.0	0.47 12.0	2.80 71.0	1.3425 34.1	0.5630 14.3	0.7795 19.8	3/8-16	3,155 14.04	1,810 8.05	UC 205-14	TB 205	1.5 0.7
UCTB 205-15	15/16														UC 205-15		
UCTB 205	25														UC 205		
UCTB 205-16	1														UC 205-16		
UCTB 206-17	1 1/16	1.688 42.9	4.00 102.0	3.00 76.2	1.50 38.0	0.63 16.0	0.47 12.0	3.38 86.0	1.5000 38.1	0.6260 15.9	0.8740 22.2	7/16-14	4,377 19.47	2,569 11.43	UC 206-17	TB 206	2.9 1.3
UCTB 206-18	1 1/8														UC 206-18		
UCTB 206	30														UC 206		
UCTB 206-19	1 3/16														UC 206-19		
UCTB 206-20	1 1/4														UC 206-20		
UCTB 207-20	1 1/4	1.875 47.6	4.25 108.0	3.25 82.6	1.88 48.0	0.75 19.0	0.50 13.0	3.75 95.0	1.6890 42.9	0.6890 17.5	1.0000 25.4	1/2-13	5,775 25.69	3,497 15.56	UC 207-20	TB 207	4.0 1.8
UCTB 207-21	1 5/16														UC 207-21		
UCTB 207-22	1 3/8														UC 207-22		
UCTB 207	35														UC 207		
UCTB 207-23	1 7/16														UC 207-23		
UCTB 208-24	1 1/2	1.938 49.2	4.63 117.0	3.50 88.9	1.88 48.0	0.75 19.0	0.50 13.0	3.94 100.0	1.9370 49.2	0.7480 19.0	1.1890 30.2	1/2-13	6,634 29.51	4,079 18.14	UC 208-24	TB 208	5.0 2.3
UCTB 208-25	1 9/16														UC 208-25		
UCTB 208	40														UC 208		
UCTB 209-26	1 5/8	2.125 54.0	5.00 127.0	3.75 95.3	2.00 51.0	0.79 20.0	0.56 14.0	4.25 108.0	1.9370 49.2	0.7480 19.0	1.1890 30.2	1/2-13	7,160 31.85	4,676 20.80	UC 209-26	TB 209	5.5 2.5
UCTB 209-27	1 11/16														UC 209-27		
UCTB 209-28	1 3/4														UC 209-28		
UCTB 209	45														UC 209		
UCTB 210-30	1 7/8	2.250 57.2	5.50 140.0	4.00 101.6	2.00 51.0	0.88 22.0	0.56 14.0	4.67 117.0	2.0315 51.6	0.7480 19.0	1.2835 32.6	5/8-11	7,867 35.00	5,330 23.71	UC 210-30	TB 210	6.8 3.1
UCTB 210-31	1 15/16														UC 210-31		
UCTB 210	50														UC 210		
UCTB 210-32	2														UC 210-32		
UCTB 211-32	2	2.500 63.5	5.51 140.0	4.09 104.0	2.60 66.0	0.98 25.0	0.55 14.0	4.92 125.0	2.1890 55.6	0.8740 22.2	1.3150 33.4	5/8-11	9,743 43.34	6,608 29.40	UC 211-32	TB 211	6.8 3.1
UCTB 211-34	2 1/8														UC 211-34		
UCTB 211	55														UC 211		
UCTB 211-35	2 3/16														UC 211-35		